

**FEATURES:**

Various Thread Standards Available

Stainless Steel One Piece Seat

Using Dewaxing Precision Casting

**STANDARDS:**

Design: ASME B16.34

Wall Thickness: ASME B16.34

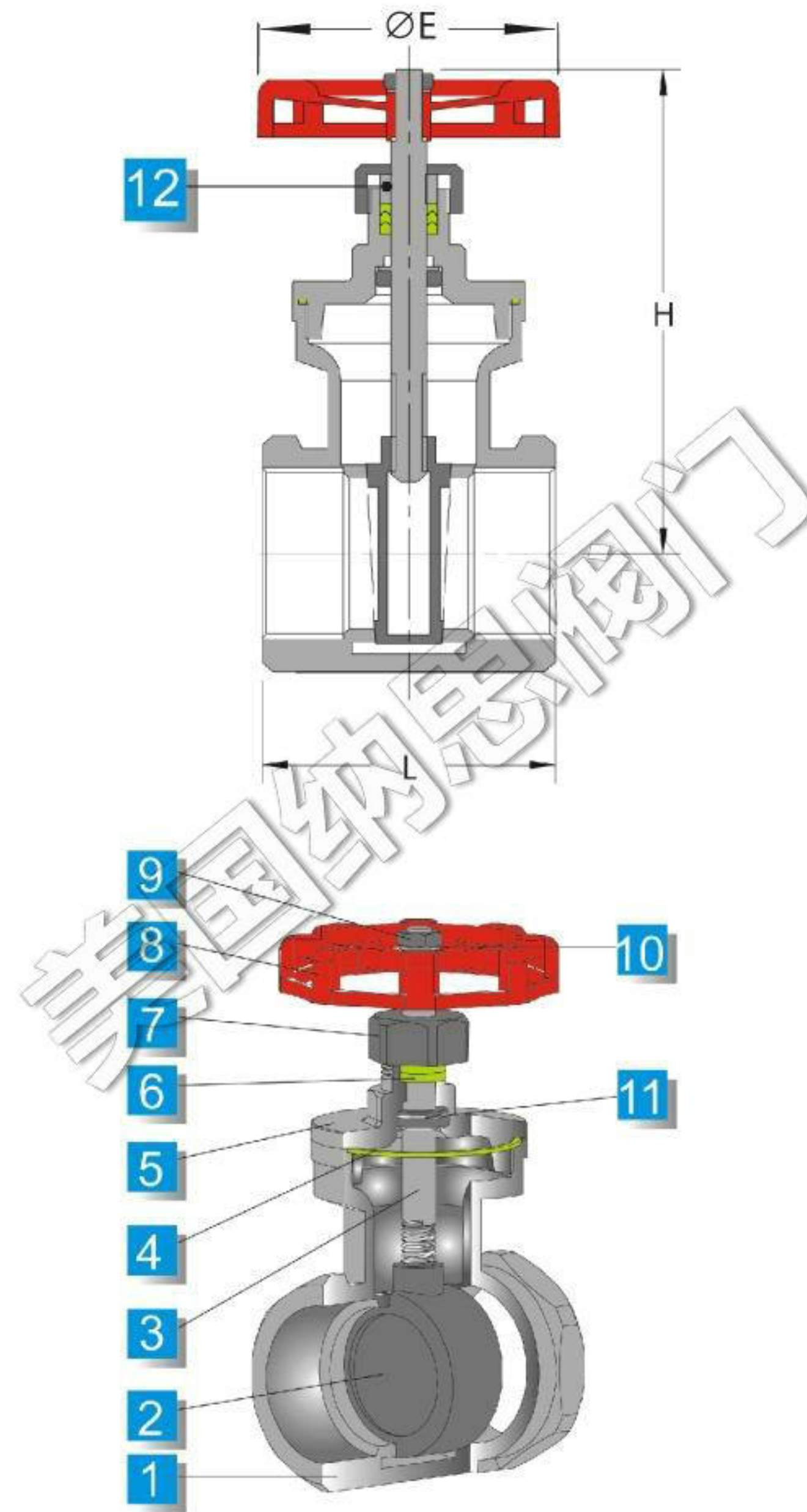
Pipe Thread: ASME B1.20.1, BS21

DIN 2999/259, ISO 228/1, JIS B 0203, ISO 7/1

Inspection & Testing: MSS SP-110, EN 12266

Threaded Gate & Globe Valves

No.	PARTS NAME	MATERIAL	
1	Body	CF8M	CF8
2	Disc	CF8M	CF8
3	Stem	SUS304	SUS316
4	Body Gasket		PTFE
5	Cap	CF8M	CF8
6	Stem Seal		PTFE
7	Stop Nut	CF8M	CF8
8	Wheel Handle		Aluminum
9	Stem Nut	SUS304	
10	Washer	SUS304	
11	Stop Gasket	SUS304	
12	Gland	SUS304	



Unit:mm

Size	1/2"	3/4"	1"	1-1/4"	1-1/2"	2"	2-1/2"	3"
	DN15	DN20	DN25	DN32	DN40	DN50	DN65	DN80
L	55	60	65	75	85	95	106.5	116.5
H	93	105	115	130	145	170	200	218
Ø E	70	70	80	80	100	100	125	125