

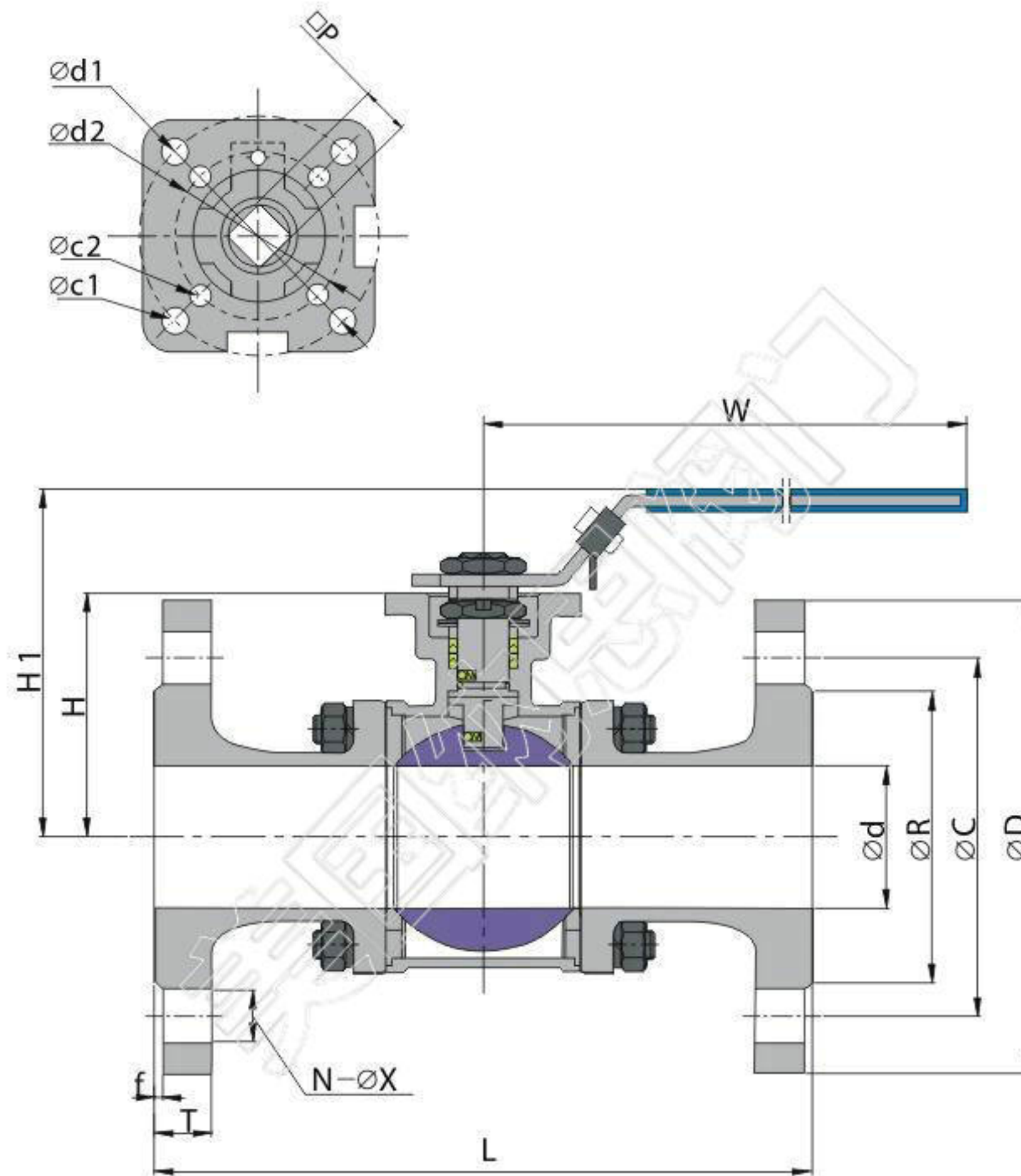
Flanged Ball Valves

FEATURES:

- Anti-Static Devices For Ball- Stem- Body
- Blow-out Proof Stem
- Pressure Balance Hole In Ball Slot
- Built In ISO 5211 Direct Mounting Pad For Easy Automation

STANDARDS:

- Design: ASME B16.34
- Wall Thickness: ASME B16.34
- Fire Safe: API 607 ISO 10497
- Face to Face: ASME B 16.10
- End Flange: ASME B16.5
- Inspection & Testing: API 598



Unit:mm ■ ASME 300 LBS

Size	(LBS)	L	$\varnothing d$	$\varnothing R$	$\varnothing C$	$\varnothing D$	H	H1	E	T	f	N	$\varnothing X$	$\varnothing d1$	$\varnothing d2$	$\varnothing C1$	$\varnothing C2$	$\square P$	ISO-5211
1/2"	300	140	15	34.9	66.7	95	48.5	75.5	110	14.3	2	4	16	42	36	6	6	9	F03/F04
3/4"	300	152	20	42.9	82.6	115	53.5	80	110	15.9	2	4	19	42	36	6	6	9	F03/F04
1"	300	165	25	50.8	88.9	125	59	90	160	17.5	2	4	19	50	42	7	6	11	F04/F05
1-1/4"	300	178	32	63.5	98.4	135	71	102	160	19.1	2	4	19	50	42	7	6	11	F04/F05
1-1/2"	300	190	38	73	114.3	155	77.5	114	185	20.7	2	4	22.3	70	50	9	7	14	F05/F07
2"	300	216	50	92.1	127	165	85	121.5	185	22.3	2	8	19	70	50	9	7	14	F05/F07
2-1/2"	300	241	65	104.8	149.2	190	98	168	305	25.4	2	8	22.3	102	70	11	9	17	F07/F10
3"	300	282	78	127	168.3	210	110	178	305	28.6	2	8	22.3	102	70	11	9	17	F07/F10
4"	300	305	100	157.2	200	255	130	198	305	31.8	2	8	22.3	102	70	11	9	19	F07/F10
5"	300	400	125	185.7	235	280	165	234	500	35	2	8	22.3	125	102	14	12	22	F12/F14