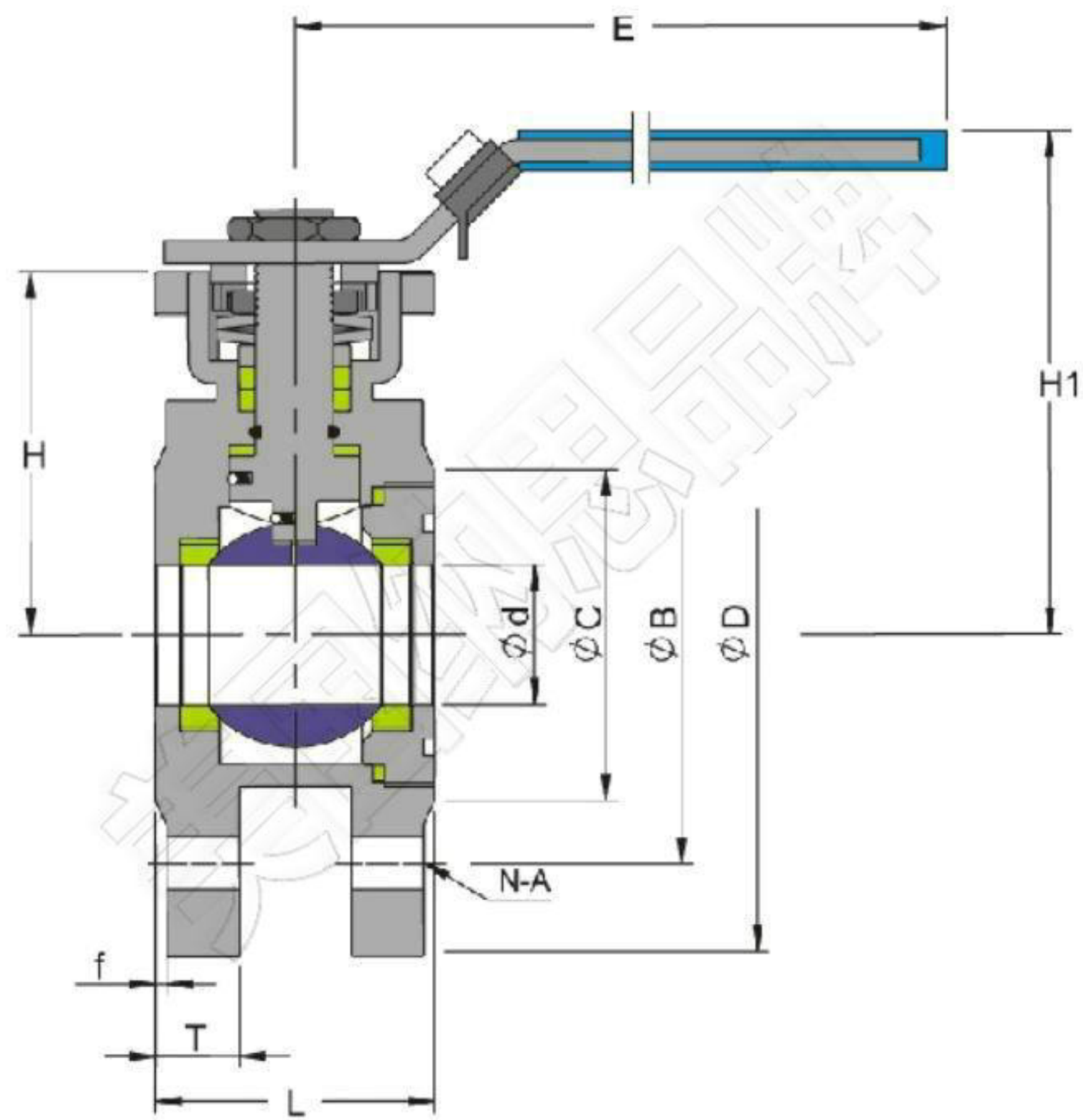
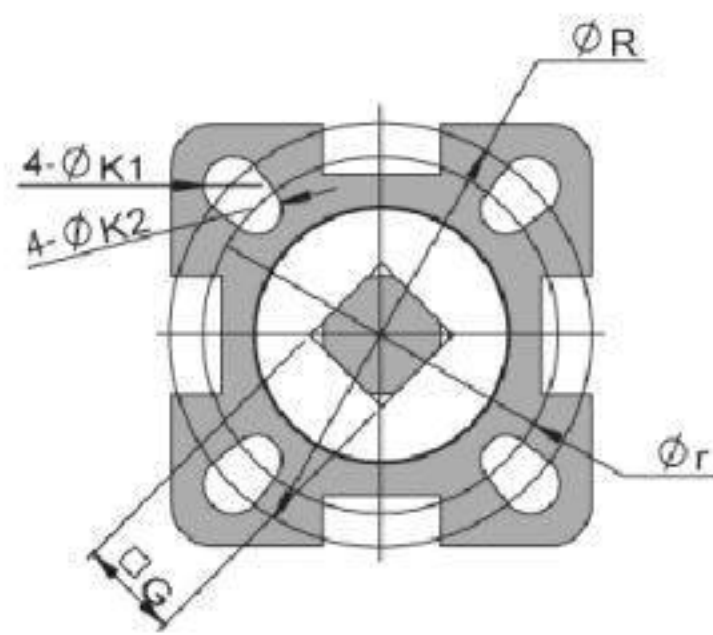


FEATURES:

- Anti-Static Devices For Ball- Stem- Body
- Blow-out Proof Stem
- Pressure Balance Hole in Ball Slot
- Built in ISO 5211 Direct Mounting Pad for Easy Automation

STANDARDS:

- Design: DIN 3357 EN 12516-1
- Wall Thickness: ASME B16.34 EN 12516-1
- Fire Safe: API 607 ISO 10497
- End Flange: DIN EN 1092-1
- Inspection & Testing: DIN 3230 EN 12266



Unit:mm ■ DIN PN16/40

Size	PN	Ød	L	ØC	ØB	ØD	H	H1	E	f	T	□G	ØR	Ør	ØK1	ØK2	N	A	ISO-5211
DN15	10-40	15	42	45	65	95	48.5	76	110	2	14	9	42	36	6	6	4	M12	F03-F04
DN20	10-40	20	44	58	75	105	53.5	81	110	2	16	9	42	36	6	6	4	M12	F03-F04
DN25	10-40	25	50	68	85	115	59	90	160	2	16	11	50	42	7	6	4	M12	F04-F05
DN32	10-40	30	60	78	100	140	71	102	160	2	16	11	50	42	7	6	4	M16	F04-F05
DN40	10-40	36	65	88	110	150	78	115	185	3	16	14	70	50	9	7	4	M16	F05-F07
DN50	10-40	46	80	102	125	165	85	122	185	3	18	14	70	50	9	7	4	M16	F05-F07
DN65	10/16	57	110	122	145	185	100	168	305	3	18	17	102	70	11	9	4	M16	F07-F10
DN80	10/16	73	120	138	160	200	110	178	305	3	20	17	102	70	11	9	8	M16	F07-F10
DN100	10/16	90	150	158	180	220	130	198	305	3	20	19	102	70	11	9	8	M16	F07-F10