

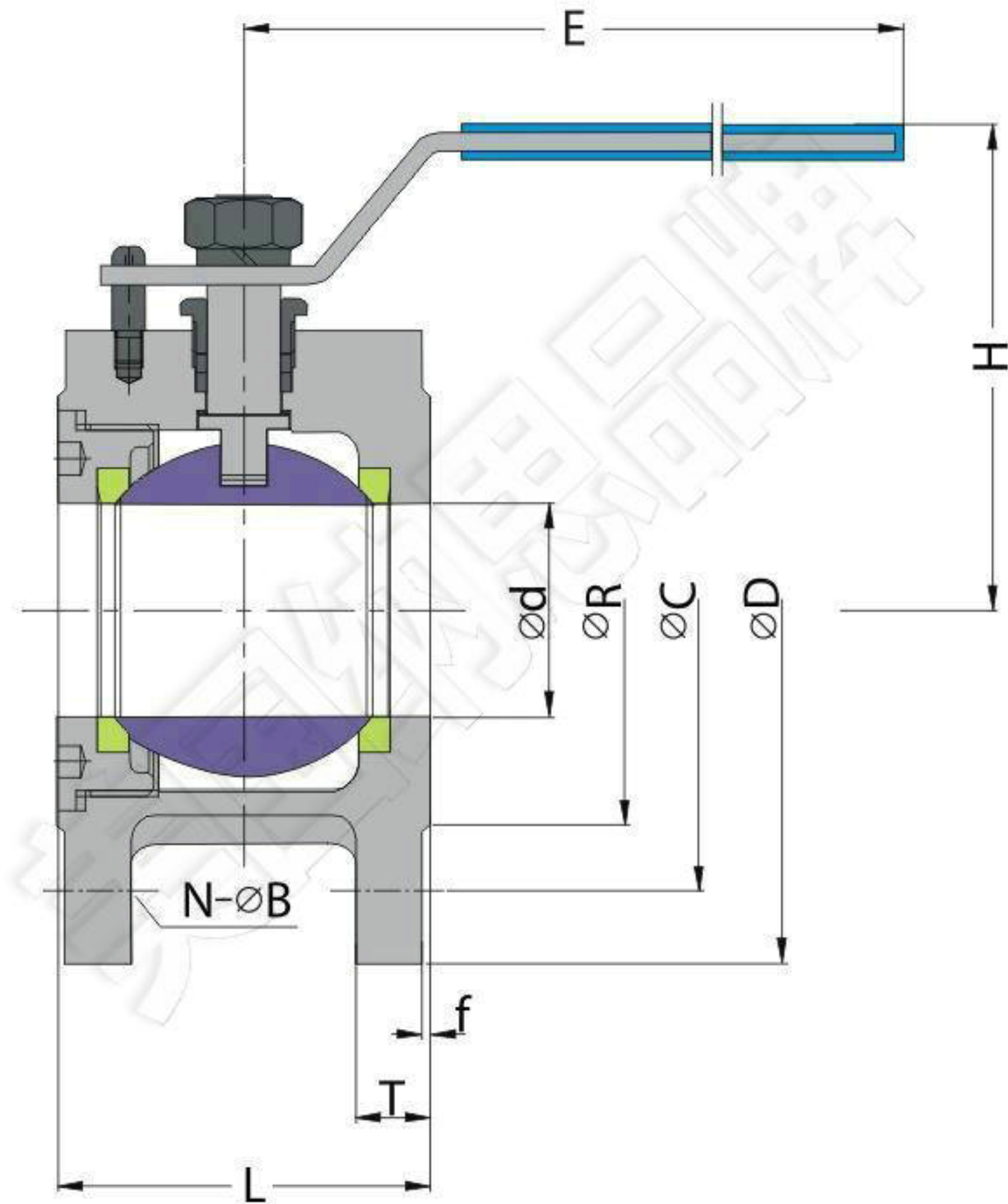


FEATURES:

- Anti-static Devices For Ball- Stem- Body
- Blow-out Proof Stem
- Pressure Balance Hole In Ball Slot

STANDARDS:

- Design: DIN 3357 EN 12516-1
- Wall Thickness: ASME B16.34 EN 12516-1
- Fire Safe: API 607 ISO 10497
- End Flange: DIN EN 1092-1
- Inspection & Testing: DIN 3230 EN 12266



Unit:mm ■ DIN PN16/40

Size	PN	L	Ød	ØC	ØD	H	E	ØR	N	Ø B	f	T
DN15	10/40	38	15	45	95	63	110	65	4	M12	2	14
DN20	10/40	40	20	58	105	72	110	75	4	M12	2	16
DN25	10/40	50	25	68	115	78.5	150	85	4	M12	2	16
DN32	10/40	58	30	78	140	93.5	150	100	4	M16	2	16
DN40	10/40	65	36	88	150	93	175	110	4	M16	3	16
DN50	10/40	80	46	102	165	104	175	125	4	M16	3	18
DN65	10/16	94	57	122	185	130	250	145	4	M16	3	18
DN80	10/16	118	73	138	200	142.5	250	160	8	M16	3	20
DN100	10/16	140	90	158	220	166	280	180	8	M16	3	20