

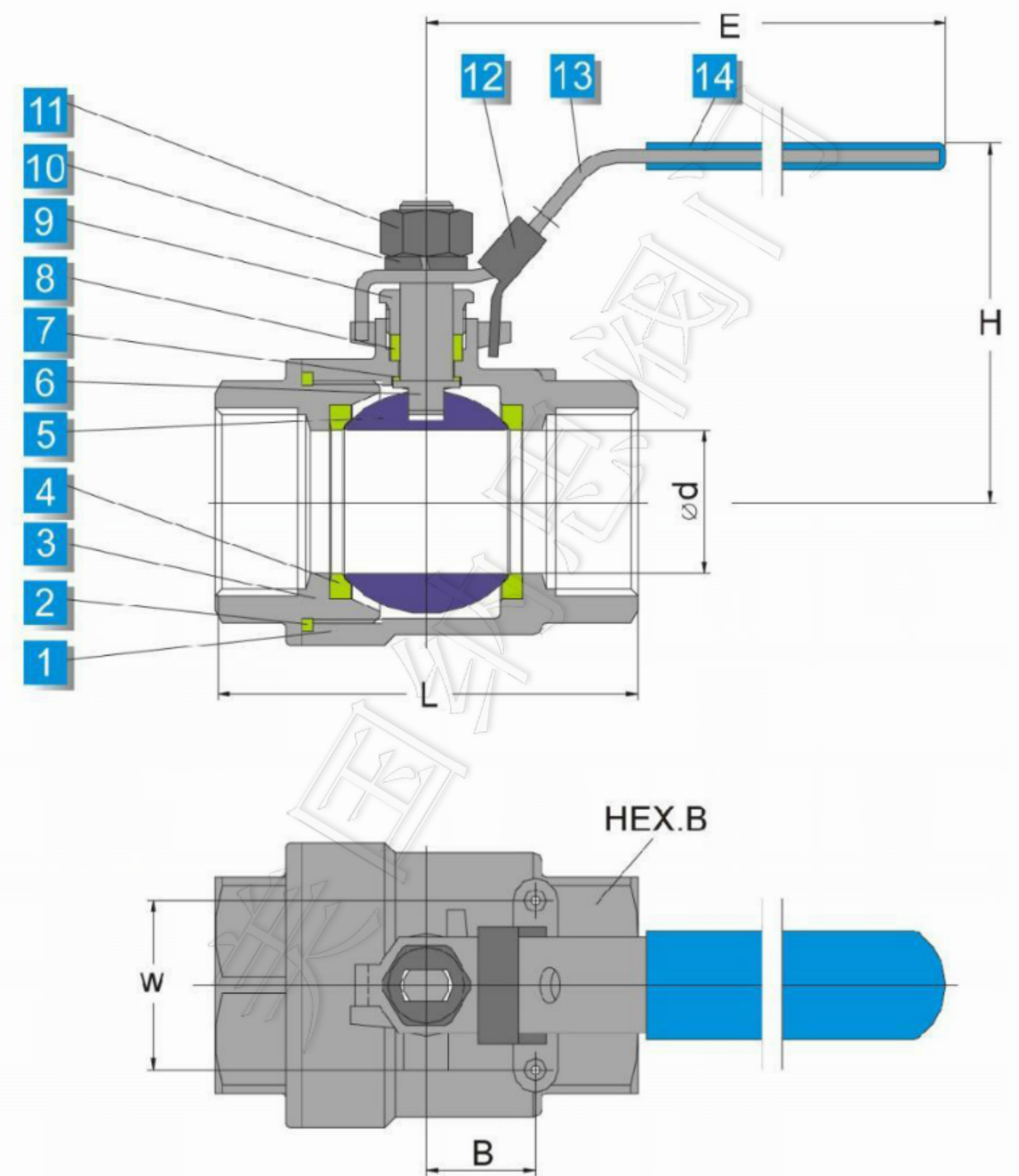
产品特点 / FEATURES:

阀杆带有防脱出装置设计 Blow-out Proof Stem
钢球球槽上有泄压孔设计
Pressure Balance Hole in Ball Slot
多种螺纹端供选择 Various Thread Standards Available
可选择挂锁装置 Lock device

标准 / STANDARDS:

设计标准 / Design: ASME B16.34
壁厚标准 / Wall Thickness: ASME B16.34
螺纹标准 / Pipe Thread: ASME B1.20.1, BS21
DIN 2999/259, ISO 228/1
JIS B 0203, ISO 7/1
检测标准 / Inspection & Testing: MSS SP-110, EN 12266

No.	PARTS NAME	MATERIAL		
1	阀体/Body	CF8M	CF8	WCB
2	垫片/Body Gasket		PTFE	
3	阀盖/Cap	CF8M	CF8	WCB
4	阀座/Seat	PTFE	RPTFE	PPL
5	球体/Ball	CF8M	CF8	
6	阀杆/Stem	SUS316	SUS304	
7	止推垫片/Thrust Washer		PTFE	
8	填料/Stem Packing	PTFE	RPTFE	
9	填料压盖/Packing gland		SUS304	
10	弹簧垫圈/Spring Washer		SUS304	
11	阀杆螺母/Stem Nut		A193-B8	
12	锁片/Locking Device		SUS301	
13	手柄/Handle		SUS304	
14	手柄套/Handle Cover		Plastic	



Unit:mm

Size	L	Ød	H	E	W	B	Thread
1/4"	55	10.5	56	100	29	21	NPT、MPT、BSPT、 BSP、DIN、PT、etc.
3/8"	55	10.5	56	100	29	25	
1/2"	63	15	65.5	120	29	31	
3/4"	74.5	20	72	150	33	36.5	
1"	87.5	25	81	170	33	43	
1-1/4"	102	32	88	170	38	52	
1-1/2"	107	38	97	190	38	60	
2"	124	48	121	190	38	72	