

# NARSF053

2PC内螺纹球阀M3  
2PC Ball Valve M3 Type 1000WOG

Threaded Ball Valves

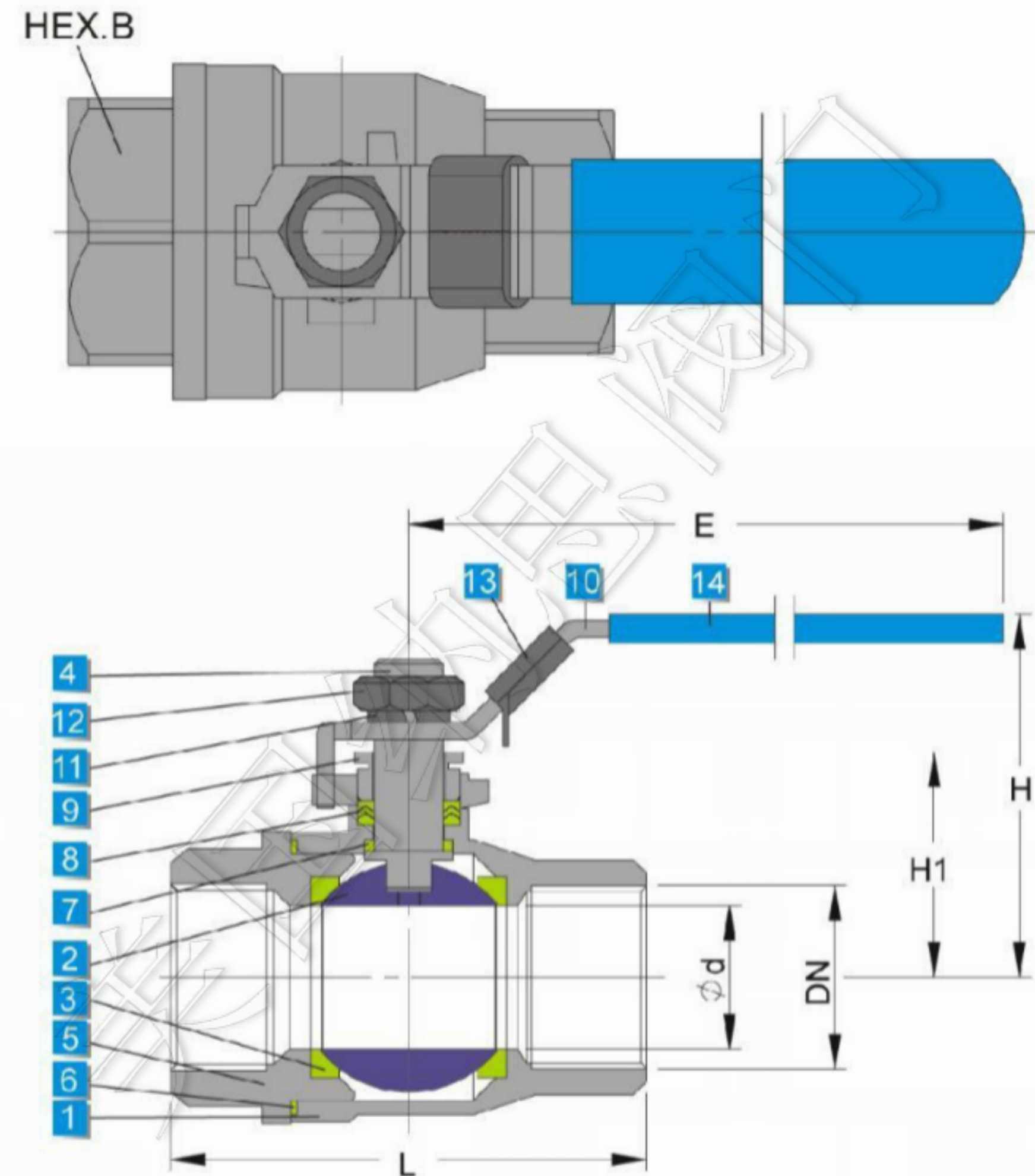
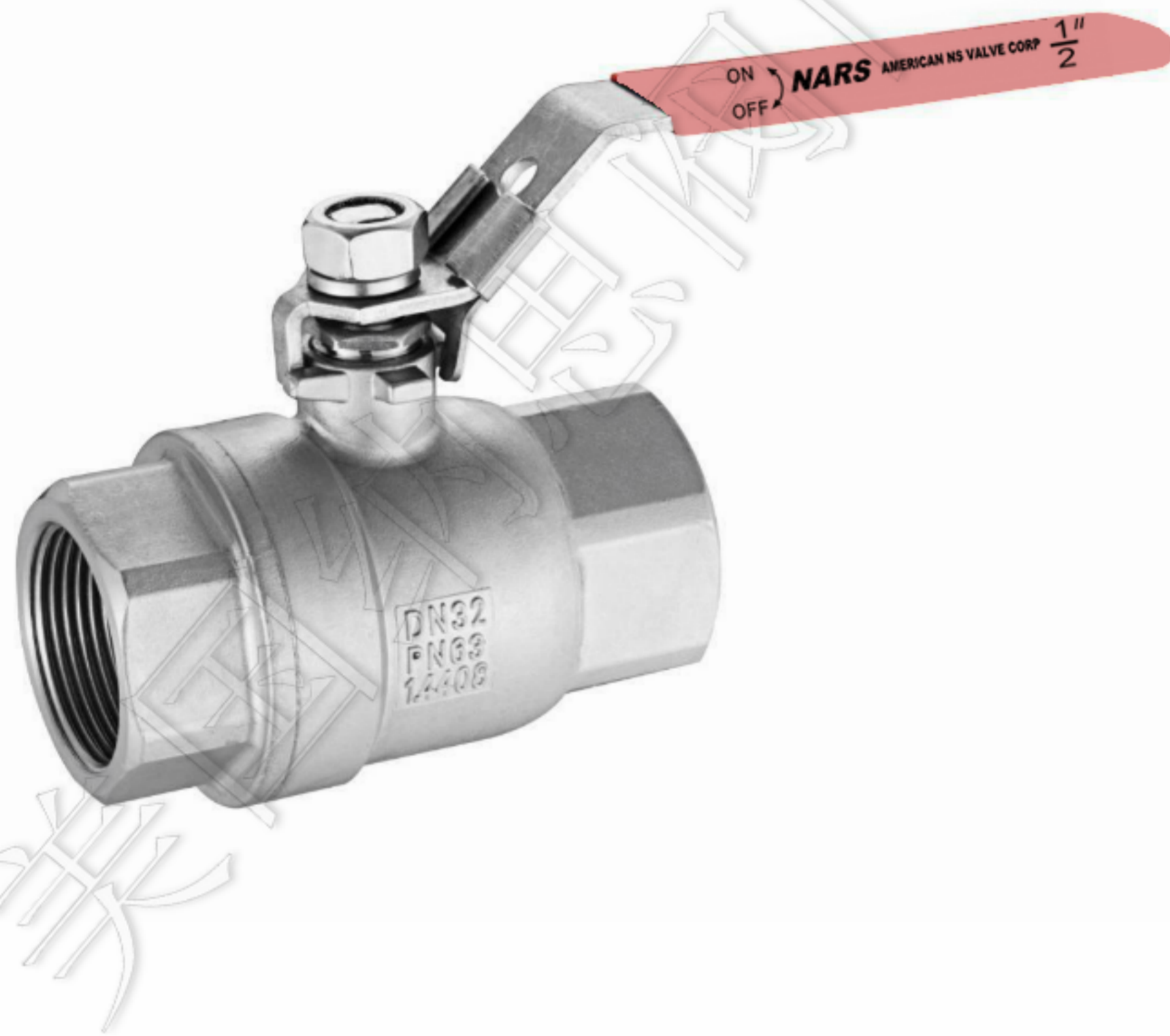
### 产品特点 / FEATURES:

阀杆带有防脱出装置设计 Blow-out Proof Stem  
钢球球槽上有泄压孔设计  
Pressure Balance Hole In Ball Slot  
多种螺纹端供选择 Various Thread Standards Available  
可选择挂锁装置 Lock Device

### 标准 / STANDARDS:

设计标准 / Design: ASME B16.34  
壁厚标准 / Wall Thickness: ASME B16.34  
结构长度 / Face to Face: DIN 3202-M3  
螺纹标准 / Pipe Thread: ASME B1.20.1, BS21 DIN 2999/259,  
ISO 228/1 JIS B 0203, ISO 7/1  
检测标准 / Inspection & Testing: MSS SP-110, EN 12266

No.	PARTS NAME	MATERIAL		
1	阀体/Body	CF8M	CF8	WCB
2	球体/Ball	CF8M	CF8	
3	阀座/Seat		PTFE	
4	阀杆/Stem	SUS316		SUS304
5	阀盖/Cap	CF8M	CF8	WCB
6	密封垫/Cap Seal		PTFE	
7	止推垫片/Thrust Washer		PTFE	
8	填料/Stem packing		PTFE	
9	填料压盖/Gland Nut		SUS301	
10	手柄/Handle		SUS301	
11	弹簧垫圈/Spring Washer		SUS301	
12	阀杆螺母/Stem Nut		SUS304	
13	锁片/Locking Device		SUS301	
14	手柄套/Handle Cover		Plastic	



Unit:mm

DN	Ød	L	H1	H	E	Thread
1/4"	10.5	50	20.5	51.5	98	NPT, MPT, BSPT, BSP, DIN, PT, etc.
3/8"	12	60	25	58	98	
1/2"	15	75	28	64.5	120	
3/4"	20	80	30.5	67	120	
1"	25	90	39	78.5	150	
1 1/4"	32	110	44	83.5	150	
1 1/2"	38	120	54	98	170	
2"	48	140	63	107	170	
2-1/2"	65	185	80.5	133	250	
3"	78	205	91	143.5	250	
4"	100	240	107.5	168	300	