

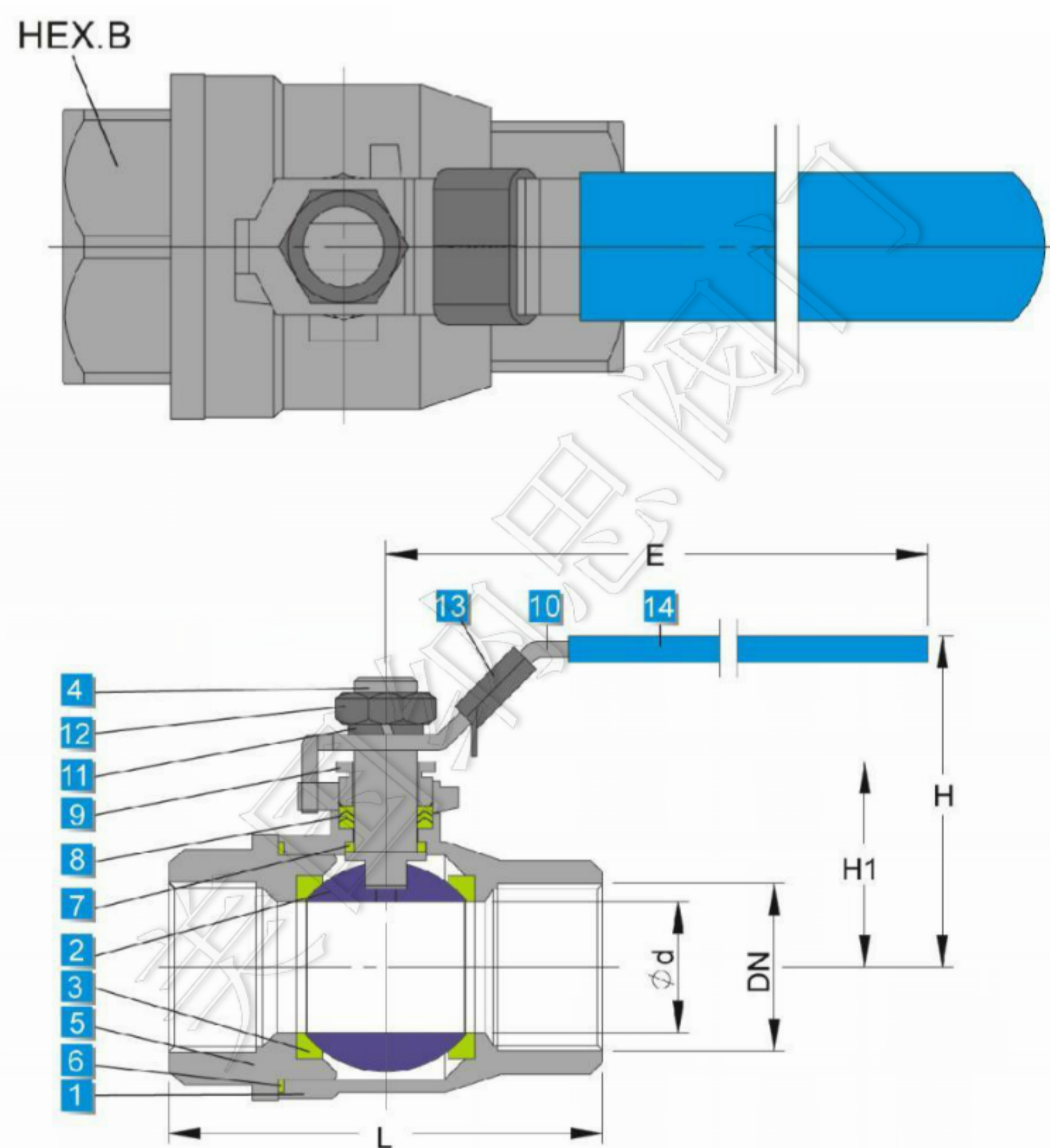
产品特点 / FEATURES:

阀杆带有防脱出装置设计 Blow-out Proof Stem
钢球球槽上有泄压孔设计
Pressure Balance Hole In Ball Slot
多种螺纹端供选择 Various Thread Standards Available
可选择挂锁装置 Lock Device

标准 / STANDARDS:

设计标准 / Design: ASME B16.34
壁厚标准 / Wall Thickness: ASME B16.34
螺纹标准 / Pipe Thread: ASME B1.20.1, BS21
DIN 2999/259, ISO 228/1, JIS B 0203, ISO 7/1
检测标准 / Inspection & Testing: MSS SP-110, EN 12266

No.	PARTS NAME	MATERIAL		
1	阀体/Body	CF8M	CF8	WCB
2	球体/Ball	CF8M	CF8	
3	阀座/Seat		PTFE	
4	阀杆/Stem	SUS316		SUS304
5	阀盖/Cap	CF8M	CF8	WCB
6	密封垫/Cap Seal		PTFE	
7	止推垫片/Thrust Washer		PTFE	
8	填料/Stem packing		PTFE	
9	填料压盖/Gland Nut		SUS301	
10	手柄/Handle		SUS301	
11	弹簧垫圈/Spring Washer		SUS301	
12	阀杆螺母/Stem Nut		SUS304	
13	锁片/Locking Device		SUS301	
14	手柄套/Handle Cover		Plastic	



Unit:mm

DN	Ød	L	H1	H	E	Thread
1/2"	15	57	25.5	58.5	98	NPT、MPT、BSPT、 BSP、DIN、PT、etc.
3/4"	20	65	28.5	62.5	120	
1"	25	77	34	68	130	
1 1/4"	32	90	42	82	150	
1 1/2"	38	97	47	92	170	
2"	49	115	55.5	100	170	