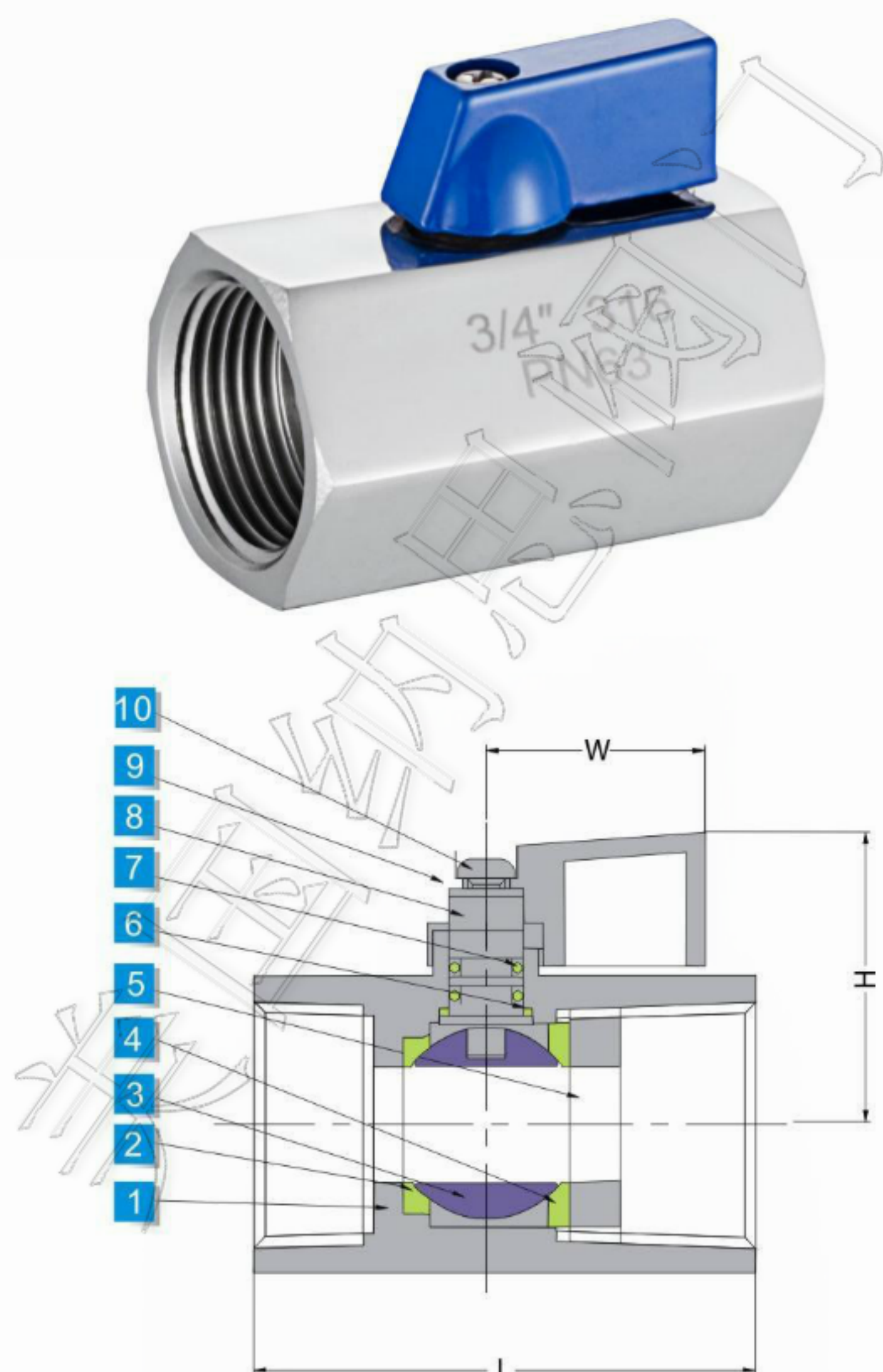


NARSF006 迷你内螺纹球阀

Mini Ball Valve Female Thread

Threaded Ball Valves



产品特点 / FEATURES:

阀杆带有防脱出装置设计
Blow-out Proof Stem
减流量
Reduced Port
多种螺纹端供选择
Various Thread Standards Available

标准 / STANDARDS:

设计标准 / Design: ASME B16.34
壁厚标准 / Wall Thickness: ASME B16.34
螺纹标准 / Pipe Thread: ASME B1.20.1,BS21
DIN 2999/259,ISO 228/1
JIS B 0203,ISO 7/1
检测标准 / Inspection & Testing:
MSS SP-110,EN 12266

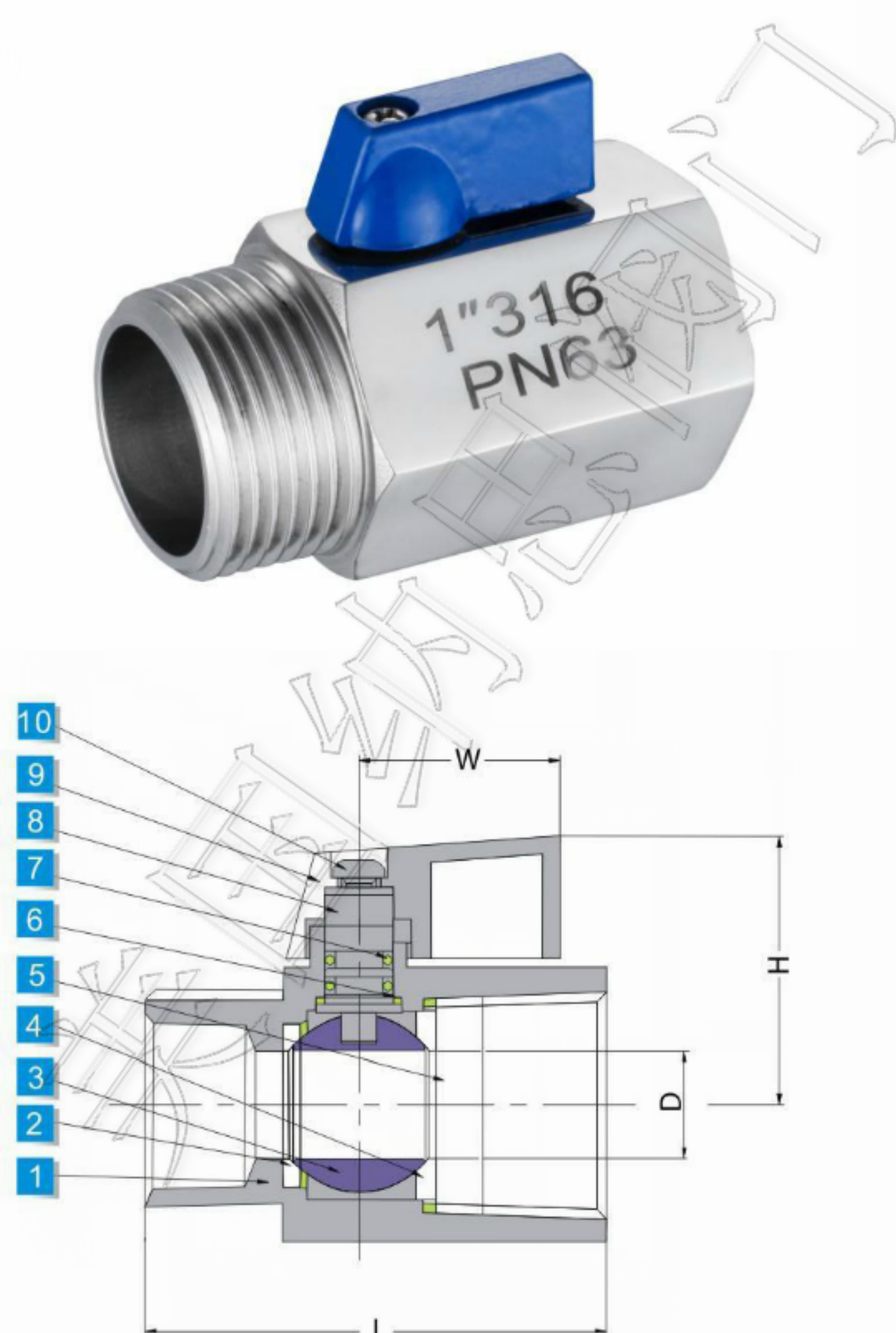
| No. | PARTS NAME | MATERIAL | |
|-----|---------------------|----------|------------|
| 1 | 阀体/Body | SUS316 | SUS304 |
| 2 | 阀座/Seat | | PTFE |
| 3 | 球体/Ball | SUS316 | SUS304 |
| 4 | 上阀座/Seat | | PTFE |
| 5 | 并帽/Cap | | SUS304 |
| 6 | 止推垫片/Thrust Washer | | SUS304 |
| 7 | O型圈/O-Ring | | FKM(VITON) |
| 8 | 阀杆/Stem | SUS316 | SUS304 |
| 9 | 手柄/Handle | | SUS304 |
| 10 | 十字槽螺钉/Philips Screw | | SUS301 |

Unit:mm

| Size | L | ØD | H | E |
|------|----|------|------|------|
| 1/4" | 42 | 7 | 26.5 | 22.8 |
| 3/8" | 42 | 7 | 26.5 | 22.8 |
| 1/2" | 46 | 9 | 28.3 | 22.8 |
| 3/4" | 54 | 12.5 | 31.5 | 22.8 |
| 1" | 65 | 15 | 34 | 22.8 |

NARSF007 迷你内外螺纹球阀

Mini Ball Valve Female/male Thread



产品特点 / FEATURES:

阀杆带有防脱出装置设计
Blow-out Proof Stem
减流量
Reduced Port
多种螺纹端供选择
Various Thread Standards Available

标准 / STANDARDS:

设计标准 / Design: ASME B16.34
壁厚标准 / Wall Thickness: ASME B16.34
螺纹标准 / Pipe Thread: ASME B1.20.1,BS21
DIN 2999/259,ISO 228/1
JIS B 0203,ISO 7/1
检测标准 / Inspection & Testing: MSS
SP-110,EN 12266

| No. | PARTS NAME | MATERIAL | |
|-----|---------------------|----------|------------|
| 1 | 阀体/Body | SUS316 | SUS304 |
| 2 | 阀座/Seat | | PTFE |
| 3 | 球体/Ball | SUS316 | SUS304 |
| 4 | 上阀座/Seat | | PTFE |
| 5 | 并帽/Cap | | SUS304 |
| 6 | 止推垫片/Thrust Washer | | SUS304 |
| 7 | O型圈/O-Ring | | FKM(VITON) |
| 8 | 阀杆/Stem | SUS316 | SUS304 |
| 9 | 手柄/Handle | | SUS304 |
| 10 | 十字槽螺钉/Philips Screw | | SUS301 |

Unit:mm

| Size | L | ØD | H | E |
|------|----|------|------|------|
| 1/4" | 42 | 7 | 26.5 | 22.8 |
| 3/8" | 42 | 7 | 26.5 | 22.8 |
| 1/2" | 46 | 9 | 28.3 | 22.8 |
| 3/4" | 54 | 12.5 | 31.5 | 22.8 |
| 1" | 65 | 15 | 34 | 22.8 |